

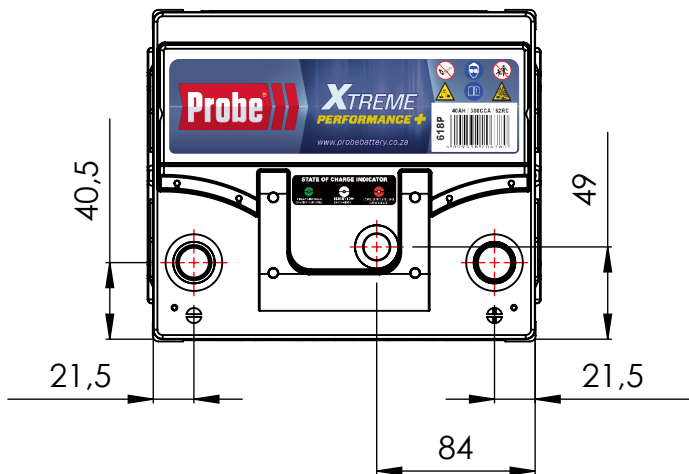
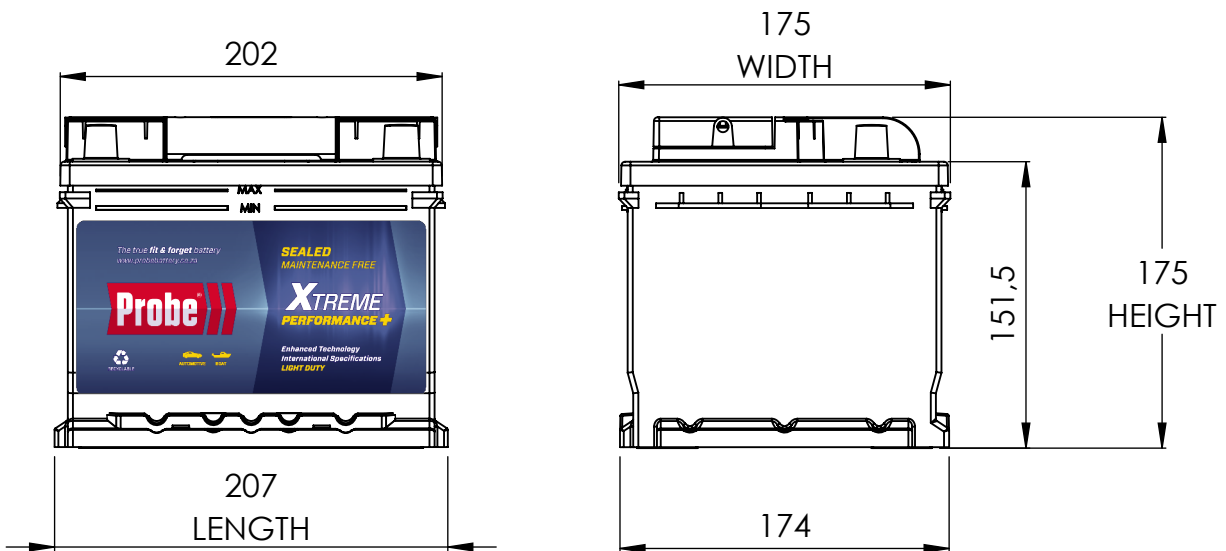


**MODEL:** 618P  
**TECHNOLOGY:** Lead Acid Battery  
**DIMENSIONS:** mm  
**COLOR:** Black  
**WET WEIGHT:** 10,90 kg  
**MATERIAL:** Polypropylene (PP)  
**DIMENSIONS (LxWxH) mm:** 207 x 175 x 175



**SPECIFICATIONS**

NOMINAL VOLTAGE	PERFORMANCE			BCI GROUP
	C20 (Ah) CAPACITY (Ah)	CCA (A) SAE -18°C COLD CRANKING (A) SAE -18°C	RC (MINUTES) RESERVE CAPACITY	
12V	38	300	60	99R



TERMINAL	
TERMINAL TYPE	
1	1
<p>18 ±1 Ø 19,5 ±0,3</p> <p>POSITIVE TERMINAL CONICITY 1:9</p>	<p>18 ±1 Ø 17,9 ±0,3</p> <p>NEGATIVE TERMINAL CONICITY 1:9</p>
RECOMMENDED TORQUE: 8 - 10 N.m	

